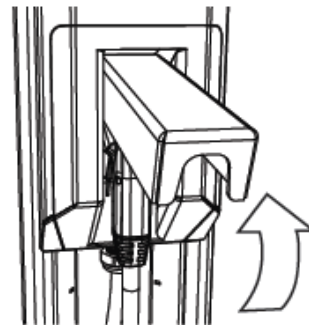


## Step-By-Step User Guide

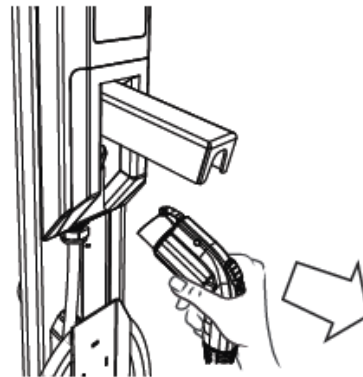
**Step 1:** Hold charging card near the reader and wait for the system to give you access.



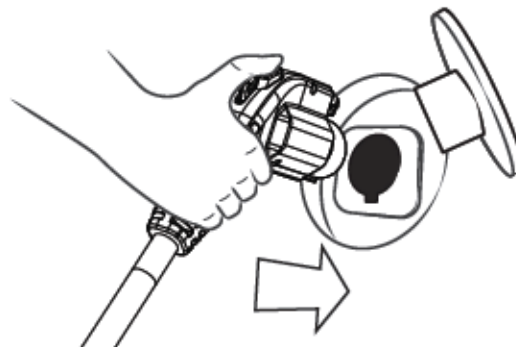
**Step 2:** When the message “Plug the connector to the vehicle” displays, open the station’s door.



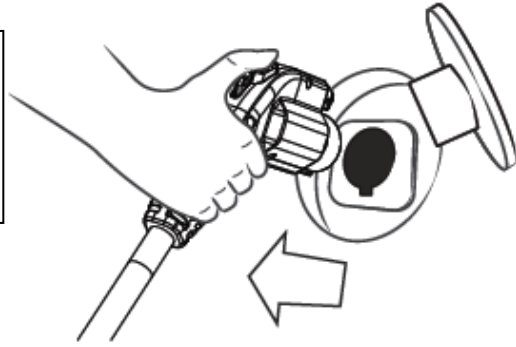
**Step 3:** Pull out the connector and unroll the cable. **WARNING:** Do not let the cable drag on the ground.



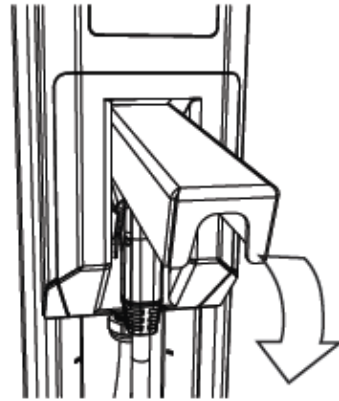
**Step 4:** Plug the connector into the vehicle and charge for the requested period, maximum 3 hours.



**Step 5:** When the vehicle is charged, remove the connector from the vehicle.



**Step 6:** Roll the cable up on its support, put the connector back into the station and close the door.



**Please limit your stay to 3 hours**